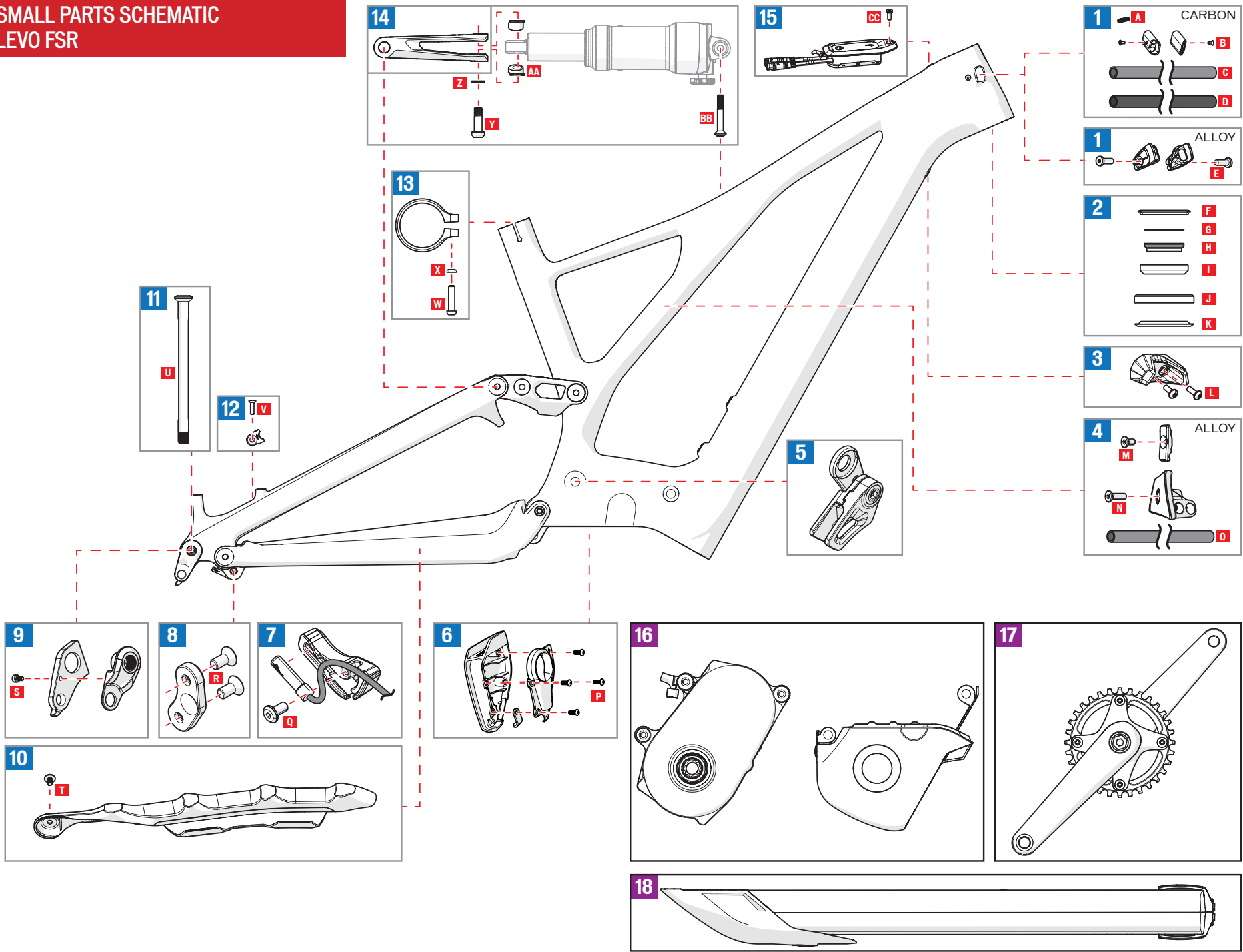
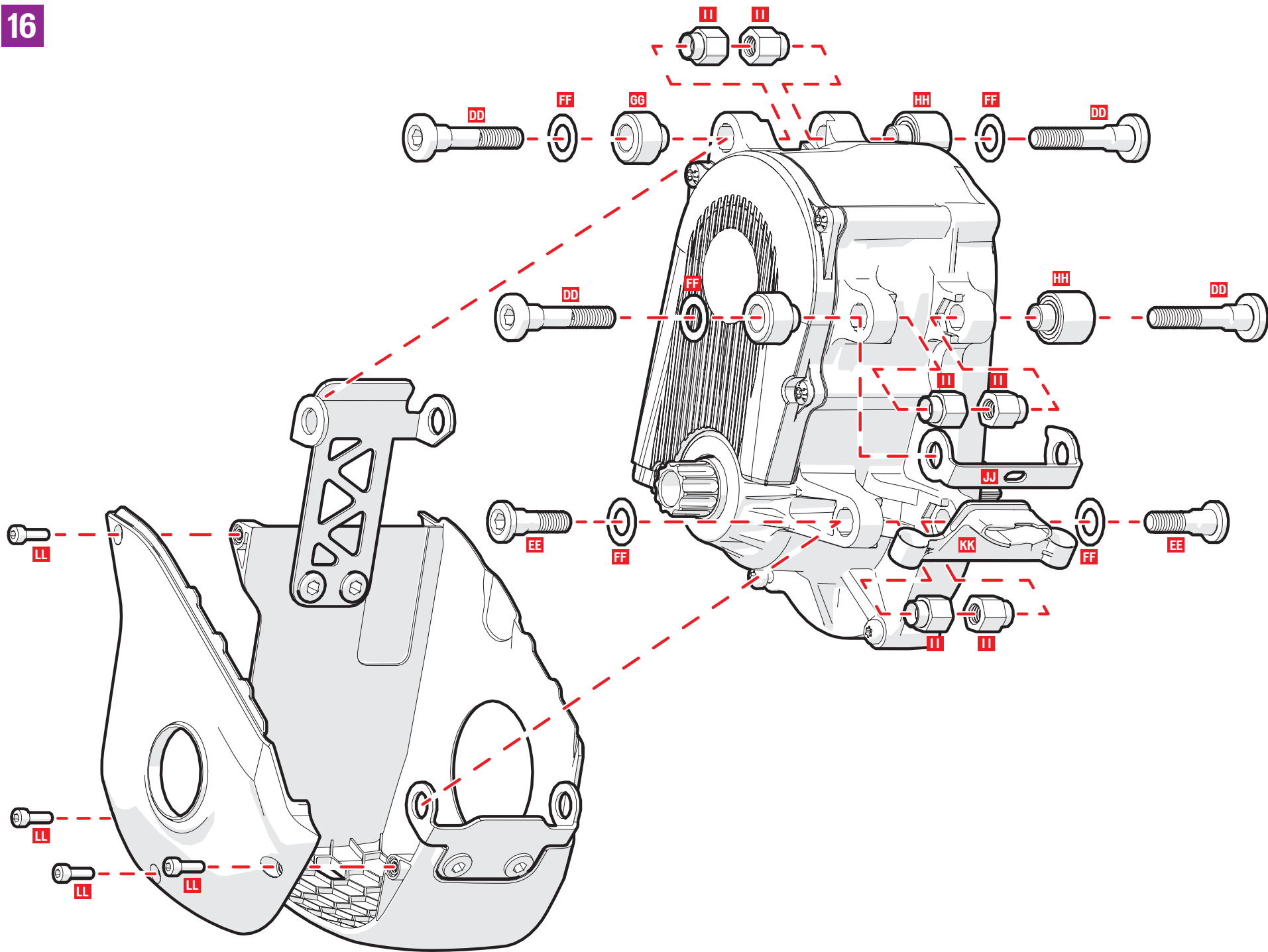
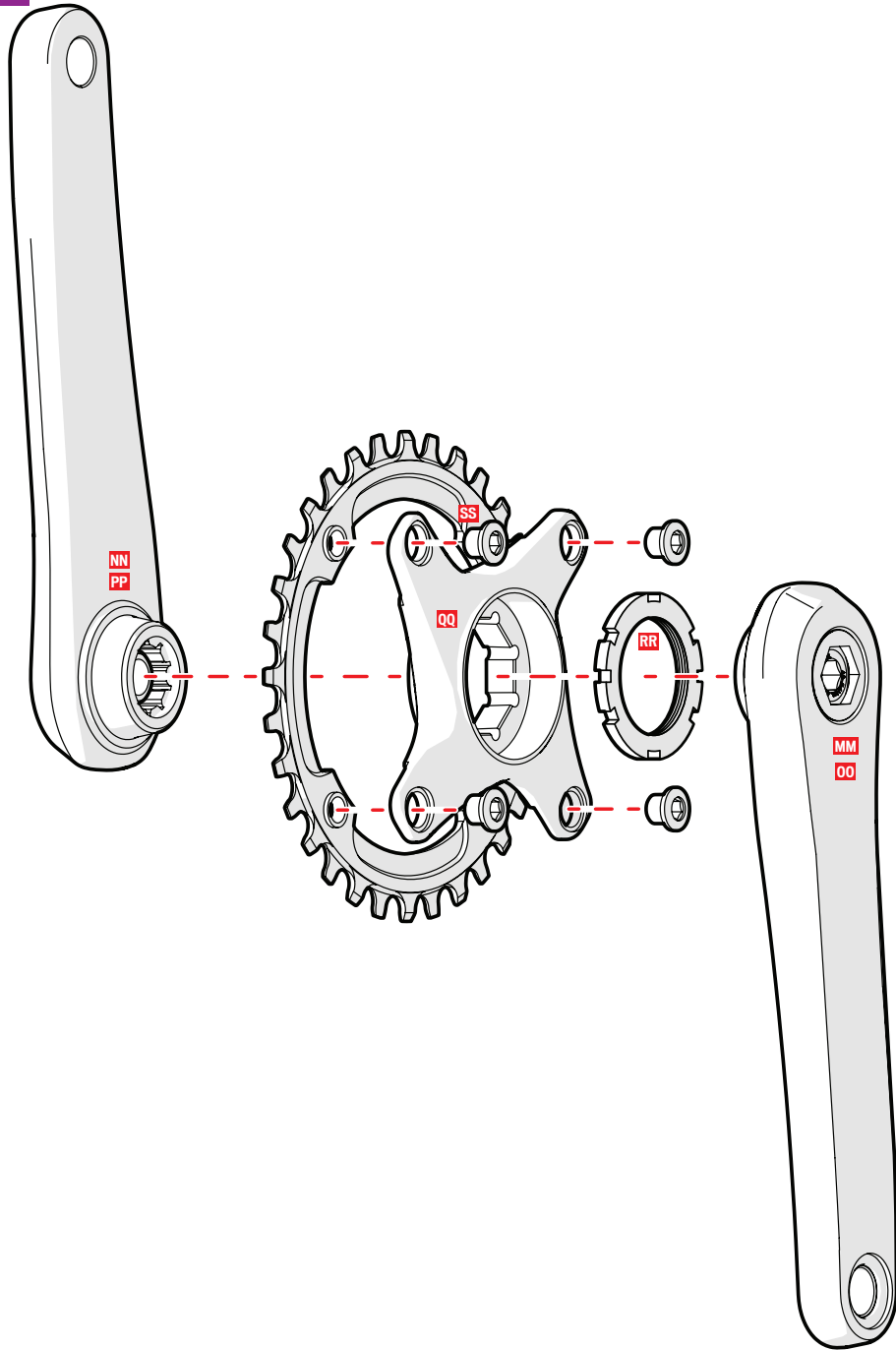


**SMALL PARTS SCHEMATIC  
LEVO FSR**

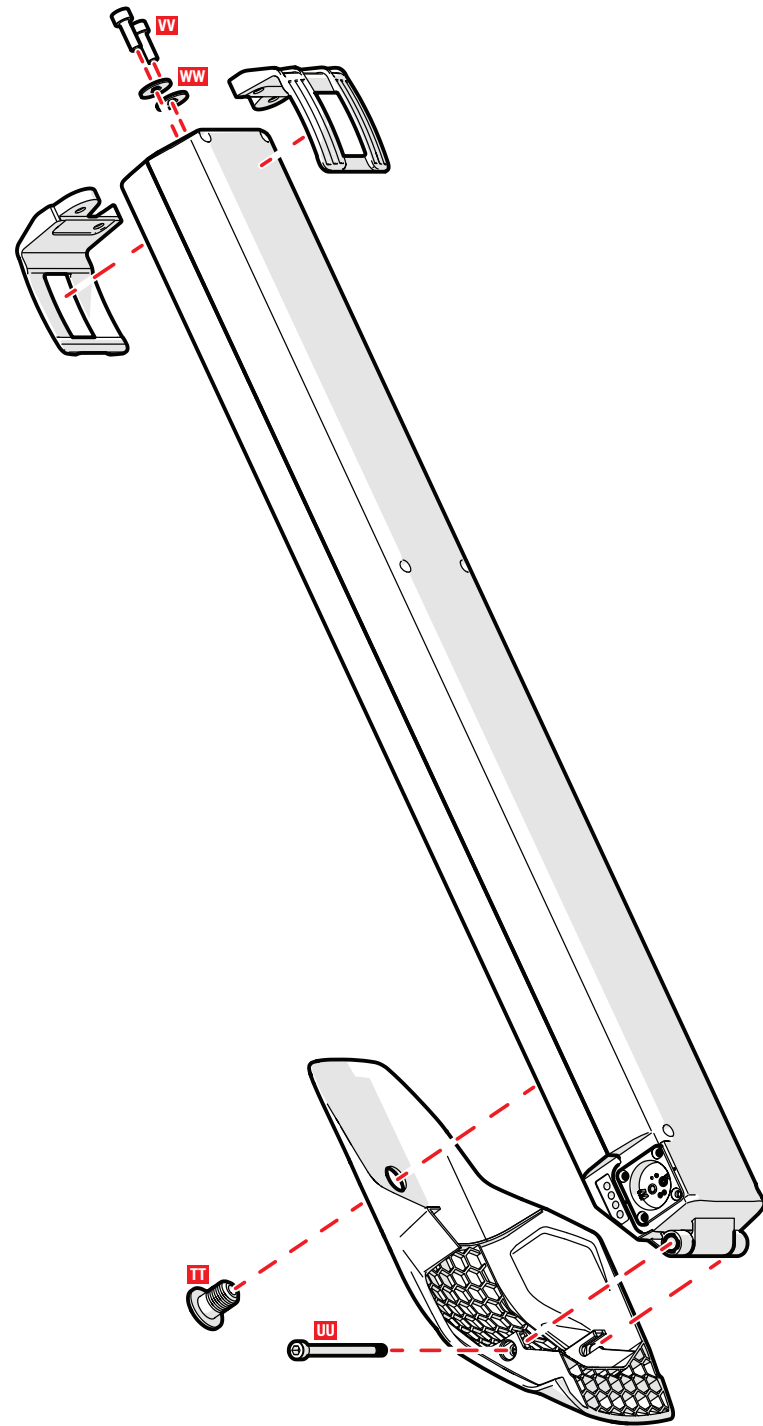




17



18



ITEM #	ITEM	DESCRIPTION	ORACLE DESCRIPTION	SUB ITEM	QTY	DESCRIPTION	SPEC	TORQUE
1	S194200009	INTERNAL ROUTING KIT - CARBON LEVO	SUB MY19 LEVO FSR CARBON ICR KIT	A	1	SET SCREW (no head)	M4 x 10 - 2mm Hex	
				B	2	ICR PORT BOLT	M3 x 6 - 2mm Hex	7 in-lbf / 0.8 Nm
				C	1	GREY BRAKE TUBE	7 OD x 5.5 ID x 875 L	
				D	1	BLACK SHIFT TUBE	7 OD x 5.5 ID x 830 L	
1	S194200002	INTERNAL ROUTING KIT - ALLOY LEVO	SUB MY19 LEVO FSR ALLOY CABLE ENTRY KIT	E	2	ICR PORT BOLT	M4 x 10 - T10 Torx	7 in-lbf / 0.8 Nm
2	S182500005	HEADSET ASSEMBLY - 11/8" / 1.5" , 45.5MM DIAMETER	HDS NO.42/ACB/S/F46.CONE SPACER.AL COMPRESSION RING.UP1125/LOW1.5 CRMO CAMPY45.AL SPLIT CROWN RACE	F	1	FLUSH HEADSET COVER	45.5 OD x 3.7 W	
				G	1	WASHER	34.5 OD x 30.9 x 0.25 W	
				H	1	COMPRESSION RING	34.25 OD x 30.9 ID x 7 W 30.5 OD x 30.9 ID x 2.5 W	
				I	1	UPPER BEARING	11/8" , 41.8x8, 45x45	
				J	1	LOWER BEARING	1.5" , 52x7, 45x45	
				K	1	CROWN RACE	51 OD x 40 ID x 4.3 W	
				L	2	BUMPER BOLT	M5 x 14 - T25 Torx	55 in-lbf / 6.2 Nm
4	S194200003	SIDEARM ROUTING KIT - ALLOY LEVO	SUB MY19 LEVO FSR ALLOY SIDEARM COVERS KIT	M	2	CABLE BAT BOLT	M4 x 8 - 3mm Hex	9.5 in-lbf / 1Nm
				N	1	ICR PORT BOLT	M4 x 14 - 3mm Hex	9.5 in-lbf / 1Nm
				O	2	HOUSING TUBE	7 OD x 5.5 ID x 200/240 L	
5	S191200001	CHAINGUIDE ASSEMBLY	CHG MY19 LEVO FSR CHAINGUIDE ASSY, 32T-34T					
6	S194200004	WIRING/PLUG HARNESS ASSEMBLY	SUB MY19 LEVO FSR BATTERY CABLE COVER KIT	P	4	INTERNAL COVER BOLT	M3 x 8 - 2mm Hex	35.4 in-lbf / 4 Nm
7	S194200015	SPEED SENSOR	SUB MY19 LEVO FSR SPEED SENSOR COVER KIT	Q	1	SPEED SENSOR BOLT	M4 x 7 - 2.5mm Hex	18 in-lbf / 2 Nm
8	S194200016	SPEED SENSOR MAGNET	SUB MY19 LEVO FSR SPEEDSENSOR-MAGNET KIT	R		MAGNET BOLT	M5 x 16 - T25 Torx	55 in-lbf / 6.2 Nm
9	S172600001	THRU AXLE SANDWICH DERAILLEUR HANGER	HGR MY18 MTB THRU AXLE DER HANGER	S	1	HANGER BOLT	M3 x 6 - 2.5mm Hex	7 in-lbf / 0.8 Nm
10	S186900003	CHAINSTAY PROTECTOR - CO-MOLDED (WITH BOLT)	CSP MY19 SJ FSR J1 CARBON/ALLOY CHAINSTAY PROTECTOR CO-MOLDED W/BOLT	T	1	MOUNTING BOLT	M4 x 7 - T25 Torx	7 in-lbf / 0.8 Nm
11	S170200003	THROUGH AXLE	MSC THROUGH AXLE, JD JD-QR43, 7075-T73 AXLE W/C6801 WASHER, REAR, 148MM SPACING, 172MM LENGTH, 12MM	U	1	REAR AXLE	148mm axle: M12 x 172 - 6mm Hex	133 in-lbf / 15 Nm
12	S186500010	REAR BRAKE HOUSING SEATSTAY CLIP	CBG MY18 AWOL CS CABLEGUIDE KITS W/BOLTS	V	1	CLIP BOLT	M4 x 13, 3mm Hex	7 in-lbf / 0.8 Nm
13	S184700004	SEATPOST CLAMP - 38.6MM FOR 34.9MM SEATPOSTS	STC KCNC, SPL-SC02-386, EXTRUDED, 7075-T6, 38.6MM, SCM435, NONE FINISH BOLT, BOLT CLAMP TYPE	W	1	CLAMP BOLT	M5 x 18 - 4mm Hex	55 in-lbf / 6.2 Nm
				X	1	SPACER	7.9 OD x 5.1 ID x 2.5 W	
14	S184200068	HARDWARE KIT - REAR SHOCK	SUB MY19 SJ FSR J1 REAR SHOCK HARDWARE KIT	Y	1	LOWER SHOCK BOLT	M8 x 26 - 6mm Hex	210 in-lbf / 23.7 Nm
				Z	1	LOWER SHOCK WASHER	13 OD x 8.2 ID x 0.5 W	
				AA	2	ECCENTRIC FLIP CHIP	15 OD x 8 ID x 6.5 W	
				BB	1	UPPER SHOCK BOLT	M6 x 40 - 5mm Hex	90 in-lbf / 10.2 Nm
15	S194200017	TCU TOP TUBE DISPLAY UNIT	SUB MY19 LEVO FSR TOP TUBE DISPLAY KIT	CC	1	DISPLAY UNIT BOLT	M4 x 10 - T10 Torx	7 in-lbf / 0.8 Nm

ITEM #	ITEM	DESCRIPTION	ORACLE DESCRIPTION	SUB ITEM	QTY	DESCRIPTION	SPEC	TORQUE
16	S194200012	MOTOR MOUNT KIT	SCR,CUST,M8X1.25 X 20,MOTOR BOLT	DD	4	MOTOR BOLT	M8 x 20 - 6mm Hex	160 in-lbf / 18 Nm
			SCR,CUST,M8X1.25 X 14,MOTOR BOLT	EE	2	MOTOR BOLT	M8 x 20 - 6mm Hex	160 in-lbf / 18 Nm
			SPCR,10.2 ID X 18 OD X 0.5 W,MOTOR SPACER	FF	5	MOTOR BOLT SPACER	18 OD x 10.2 ID x 0.5 W	
			SPCR,CUST,10.2 ID X 20 OD X 10.5 W,MOTOR SPACER	GG	2	MOTOR SPACER	20 OD x 10.2 ID x 10.5 W	
			SPCR,CUST,10.2 ID X 20 OD X 15.5 W,MOTOR SPACER	HH	2	MOTOR SPACER	20 OD x 10.2 ID x 15.5 W	
			NUT,CUST,M8X1.25 X 10,MOTOR NUT	II	6	MOTOR NUT	M8 x 10	
			BRACKET 3,MTB,PA TRAIL FSR D2	JJ	1			
			SHADOW LOOP,MTB,PA TRAIL FSR D2	KK	1			
S194200013	MOTOR COVER KIT	SCR,SKT HD CAP,M4X0.7 X 12,STL,BLK	LL	3	MOTOR COVER BOLT	M4 x 12 - 3mm Hex	9.5 in-lbf / 1 Nm	
17	S191600001	ALLOY DRIVE SIDE ARM	CRK MY19 LEVO FSR CRNK,ALLOY,165MM,DS,PA TRAIL FSR D2	MM	1	ALLOY	8mm Hex	443 in-lbf / 50 Nm
	S191600002	ALLOY NON-DRIVE SIDE ARM	CRK MY19 LEVO FSR CRNK,ALLOY,165MM,NDS,PA TRAIL FSR D2	NN	1	ALLOY	8mm Hex	443 in-lbf / 50 Nm
	S191600003	CARBON DRIVE SIDE ARM	CRK MY19 LEVO FSR CRNK,CRBN,165MM,DS,PA TRAIL FSR D2	OO	1	CARBON	8mm Hex	443 in-lbf / 50 Nm
	S191600004	CARBON NON-DRIVE SIDE ARM	CRK MY19 LEVO FSR CRNK,CRBN,165MM,NDS,PA TRAIL FSR D2	PP	1	CARBON	8mm Hex	443 in-lbf / 50 Nm
	S195100001	SPIDER	SPR MY19 LEVO FSR SPIDER,104BCD,PA TRAIL FSR D2	QQ	1			
	S166800011	LOCKRING	ELE MY16 LEVO ISIS GROOVE NUT	RR	1	LOCKRING	M31 x 1, 8-NOTCH (BBT-18)	221 in-lbf / 25 Nm
	S161400009	CHAINRING	CHR MY16 LEVO 32 CHAINRING STEEL 104BCD	SS	1	CHAINRING BOLT	M8 x 6.5 - 5mm Hex	89 in-lbf / 10 Nm
18	S190500001	BATTERY BOLT	BLT MY19 LEVO FSR BATTERY BOLT, M12x1.25x10	TT	1	BATTERY BOLT	M12 x 10 - 6mm Hex	55 in-lbf / 6.2 Nm
	S194200005	SUB MY19 LEVO FSR BATTERY ROCKGUARD KIT	SCR,HEX HD,M5X0.8 X 65,AL6061	UU	1	ROCKGUARD BOLT	M5 x 65 - 4mm Hex	26.5 in-lbf / 3 Nm
	S194200006	SUB MY19 LEVO FSR BATTERY TOP EXPANDER KIT	SCR,HEX HD,M5X0.8 X 14,AL6061	VV	2	EXPANDER BOLT	M5 x 14 - 4mm Hex	26.5 in-lbf / 3 Nm
WSHR,FLAT,M5,5.2 IDX15 ODX1.25 THK,AL6061			WW	2	EXPANDER WASHER	15 OD x 5.2 ID x 1.25 W		

## ITEMS NOT SHOWN:

ITEM	DESCRIPTION	ORACLE DESCRIPTION
S180600003	BEARING KIT (see bearing/bolt kit schematic)	BRG MY19 SJ FSR J1 CARBON/ALLOY BEARING KIT
S194200008	BOLT KIT (see bearing/bolt kit schematic)	SUB MY19 LEVO FSR BOLT KIT
S199900019	SEATSTAY PROTECTOR FOAM	MSC MY19 SJ, LEVO, DEMO DRIVE SIDE SEATSTAY PROTECTOR,FOAM
S184200069	REMOTE DROPPER POST SPL/SRL LEVER	SUB REMOTE LEVER SPL-SRL-MY17-BK-OE MY17 CP SRL LE
S196800003	BATTERY-MOTOR CABLE	ELE MY19 LEVO FSR BATTERY-MOTOR CABLE, 220mm
S166800007	CABLE CLIPS	ELE MY16 LEVO CABLEBINDER, MATERIAL: CB6-185, ABS+FIBER (PA66+G30%), 3X PER FSR (2 AT FRONT, 1 AT REAR)

## SPECIALIZED BICYCLE COMPONENTS

15130 Concord Circle, Morgan Hill, CA 95037 (408) 779-6229  
0000115543\_SC\_EN\_R1, 09/18

Please note all instructions and notices are subject to change and updates without notice.

Please visit [www.specialized.com](http://www.specialized.com) for periodic tech updates.

Feedback: [techdocs@specialized.com](mailto:techdocs@specialized.com)