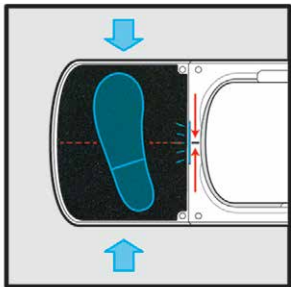


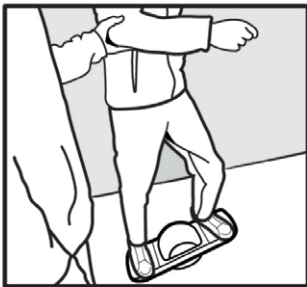
# OWNER'S MANUAL

*ONEWHEEL*

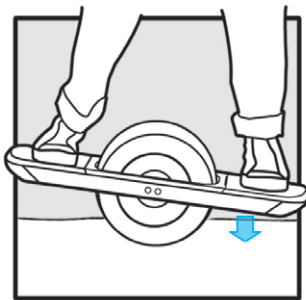
GT



- Switch on Onewheel GT using the power switch on the side.
- Step firmly on both sides of the front footpad.



- Always wear a helmet and other protective gear.
- Lean on a friend to get started.
- Slowly come up to balance.
- GT will engage when you reach a horizontal orientation.



- Lean forward to accelerate.
- Lean back to slow down.
- Lean side to side to turn.



### Dismount

- **Slow down to < 1 mph** and with your toe planted lift your heel from one side of the rider detection area.
- **If you are new to riding, enable Simplestop™** in the Onewheel App. Simplestop™ is the easiest way to dismount. **See pgs. 30-33 for more info on dismounts.**

## **Welcome to the revolution**

Now that you're a proud owner of your very own Onewheel GT we want to keep you safe while you experience a whole new way of riding. We've created this owner's manual to share important safety, performance and service information with you. Please read it before you take your first ride and keep it for reference.

**Getting there is more than half the fun!**



## WARNING

Read this manual and all other materials carefully,  
and follow the riding procedures described.

---

Always heed push back, and lean back to slow down (pgs. 38-43).

---

Never lean forward into push back (pgs. 38-43).

---

Always ride Onewheel GT at a speed and in a manner appropriate  
for the conditions and your ability.



## WARNING

### **Risk of Death or Serious Injury**

Whenever you ride a Onewheel, you risk death or serious injury from loss of control, collisions and falls. To ride safely, you must read and follow all instructions and warnings in the Owner's Manual.

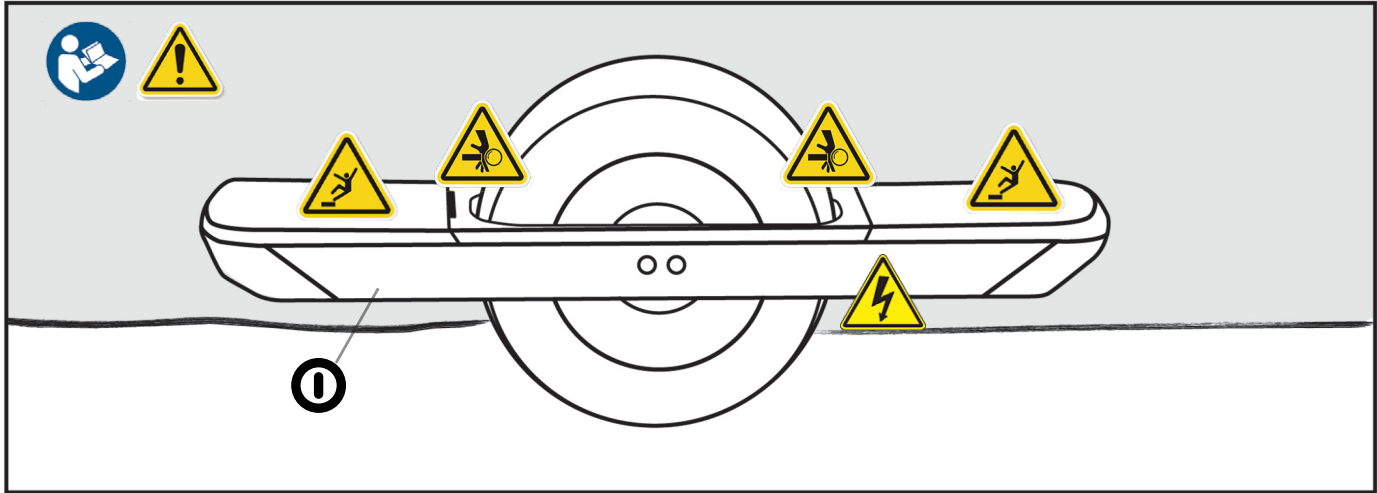




## **Register Your Onewheel GT**

We can't guarantee a warranty claim unless your board is registered.


[onewheel.com/pages/register](https://onewheel.com/pages/register)







## General Warnings

Like any sport, Onewheeling involves risk of injury. By choosing to ride a Onewheel, you assume the responsibility for that risk. It's important that you understand and practice the rules of safe and responsible riding and proper use and maintenance to reduce the risk of injury. This manual contains many “**WARNINGS**” and “**CAUTIONS**” concerning the consequences of failing to follow safe riding practices and properly maintaining and inspecting your Onewheel.

The word  **WARNING** indicates a potentially hazardous situation that, if not avoided, could result in serious injury or death.

The word  **CAUTION** indicates a potentially hazardous situation or unsafe practice that, if not avoided, could result in minor or moderate injury, serious damage to your Onewheel and the voiding of your warranty.

The word  **TIPS** indicates information to help you get the most out of your Onewheel experience.

## ATTENTION

Maximum rider weight: 275 lb / 124 kg

---

Do not allow children under the age of 14  
to use this product

---

Adult supervision is required

## Special Note to Parents and Guardians

As a parent or guardian, you are responsible for the activities and safety of your minor or child (while he or she is operating a Onewheel). Please ensure that their Onewheel is in good repair and safe operating condition and that your child understands its proper use. It is also important that both you and your child learn, understand, and obey all applicable local motor vehicle and traffic laws. Always make sure your child is wearing proper protective equipment, including a helmet and other protective gear. **Onewheel is not recommended for children under the age of 14. For children 14 years of age and older, adult supervision is required.**

## Download the Onewheel App

Sync to your board from the Onewheel App to customize your riding experience with Digital Shaping™. The Onewheel App also allows you to check your battery status for epic adventures, toggle your LED lights for night cruising, and track riding data.

- ✓ **TIP:** Search “Onewheel” on Google Play or Apple App Store.
- ✓ **TIP:** Make sure your Bluetooth is enabled on your phone so that your board can connect to the Onewheel App.



Onewheel GT Owner's Manual



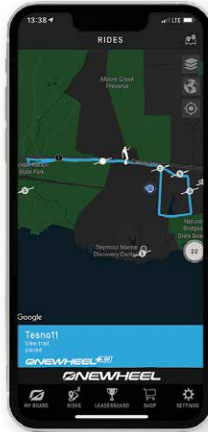
### Home Screen

Your dashboard. Select your shaping, monitor your board and see live stats.



### Rides Screen

See posted rides from all over the world on phone or browser.



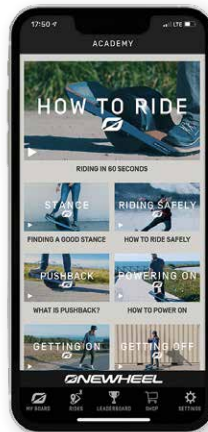
### Ride Screen Details

Find the ride details of all posted rides.



### Leaderboard

See top stats and mileage from the Onewheel community.



### Academy

Riding instructions for beginners through advanced riders.

## Digital Shaping 3.0

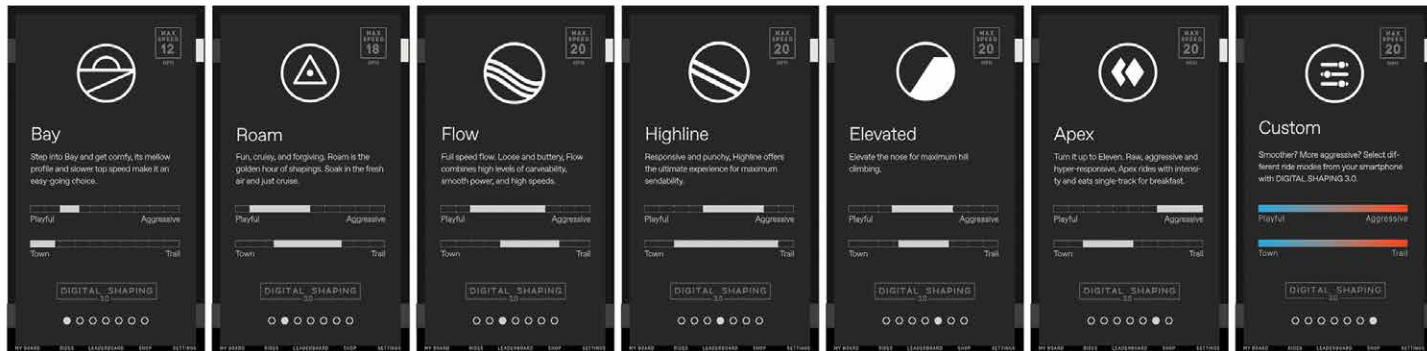
Sync to your board from the Onewheel app to customize your riding experience. Digital Shaping 3.0 provides the pinnacle of performance, comfort, and control. Inspired by surfboard shapers creating different boards for different rides, Digital Shaping 3.0 offers a complete quiver of Shapings selectable from your smartphone.

Select your ride mode/shaping



Open shaping descriptions

## GT Shapings / Ride Modes





### No Remote Required

Lean forward to go, back to slow down, it's that easy.



### Simplestop

Onewheel GT's Simplestop™ technology makes riding Onewheel even easier. Slow to a stop then lean back and the Onewheel GT sets you down gently.



### Lightbar™

Onewheel GT features Lightbar™ integrated into the front footpad for sensor pad indication, battery monitoring, and in-ride alerts.



### Maghandle™ Pro

Onewheel GT has a built in Maghandle™ Pro making it easy to carry and it magnetically snaps in flush with the wheel when not in use.



### Hypercore™ Brushless Motor

Incredibly smooth power and torque to climb over anything and powerful regenerative braking on the way down. 20 mph / 32 kph top speed.



### NMC Battery

Safe, powerful and quick to charge.



### Intuitive Lighting

Bright LED headlights and taillights automatically reverse when you switch direction.



### Digital Shaping 3.0

Smoother? More aggressive? Select different ride modes from your smartphone with Digital Shaping 3.0 in the Onewheel App.



# GT



**RANGE**

**20-32mi**

32-52km

**SPEED**

**20mph**

32kph

# TABLE OF CONTENTS

00

<b>00 Welcome to the Revolution .....</b>	<b>03</b>
Safety Overview	04
Register Your Onewheel GT	07
General Warning	09
Special Note to Guardians	11
Onewheel App	12
Digital Shaping	14
<b>01 Put Safety First .....</b>	<b>20</b>

<b>02 Riding your Onewheel GT .....</b>	<b>22</b>	<b>04 Getting to Know your Onewheel GT .....</b>	<b>52</b>
Basic Balance	24	Main Power Pushbutton Switch	53
Regenerative Braking	26	Lightbar™	54
Understanding the Footpad	26	Decoding Your GT	60
Direction and Speed	27		
Turning	27	<b>05 More Ways to Ride Safely .....</b>	<b>62</b>
Range	28	General Board Care	70
Ways to Dismount	30	Onewheel GT Specifications	72
Push Back	38	GT Charger Specifications	72
		Warranty	74
<b>03 Maintaining Onewheel GT .....</b>	<b>46</b>	Declaration of Conformity	78
Bumpers	47	Contact	79
Footpads	47		
Tire	48		
Battery	49		
Battery Charger/How to Charge Your Battery	50		

**PUT  
SAFETY  
FIRST**

**01**



## Ride Safely

Whether you're a pro or brand new to riding, it's always important to ride safely. Here are a few tips to ensure that you and your Onewheel GT stay safe.

### Helmet

Always wear an ASTM F1492-08, CPSC and/or CE EN1078 certified helmet when riding your Onewheel GT. Be sure to attach the chin strap and follow the helmet manufacturer's instructions for fit, use, and general care.


### Other Safety Equipment

It's a good idea to wear wrist guards, elbow pads, and knee pads for extra protection.

### Shoes

Always wear shoes that will stay on your feet and grip the board. Never ride barefoot or in flip-flops.

**See Section 05 “More Ways to Ride Safely” for more safety information.**

 **WARNING:** Many local governments legislate “road worthy” laws and require specific safety equipment. It is your responsibility to familiarize and comply with all applicable laws of the location where you ride your Onewheel. This includes properly equipping yourself and your Onewheel as required by law.



# RIDING YOUR ONEWHEEL GT

02



## An Incredible Ride

Quite simply the most beautiful riding experience on the planet, Onewheel GT is the perfect trail slasher, mid-town ripper, or grocery getter. So fun the pros can't get enough of it.

GT is designed to be intuitive. Anyone can learn the basics in just a few minutes. Once you start riding regularly, there's plenty of room to challenge yourself.

### Before you get on your GT

- Always do a safety check before each ride (see page 46).
- Read all safety instructions.
- Wear a helmet and other protective gear.
- Choose a safe, controlled, and calm environment away from cars, crowds, obstacles, and other potential hazards.

## Basic Balance

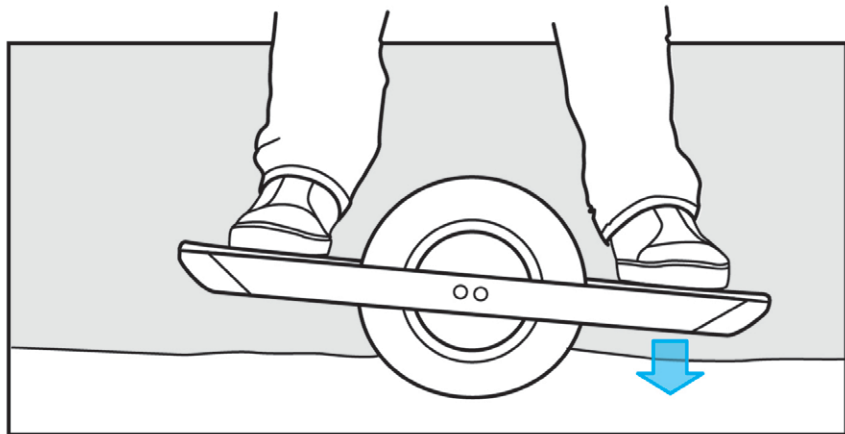
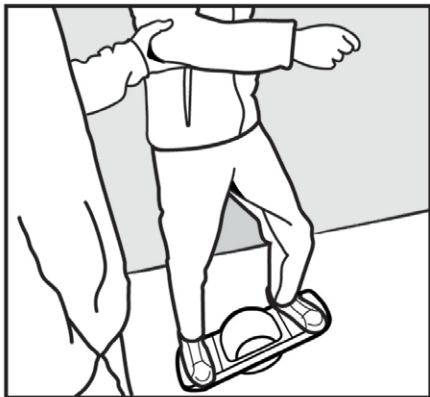
Remember, Onewheel GT is self-balancing so there's no need to muscle your way onto the board. Instead, use slow, small movements.

When Onewheel GT is on the ground, you'll notice a lower side and a higher side. Always step onto the lower side first. Then place your other foot onto the rider-detection area. Keep your legs straight (like you are standing on the ground) with a very slight bend in your knees.

Stand up slowly, bring the board to parallel, and the Onewheel GT will engage.

- ✓ **TIP:** Have a friend's shoulders handy to help you the first few times you get on your Onewheel GT. After practicing a few times, we promise you'll be a pro.
- ✓ **TIP:** Look where you want to go (don't look down).
- ✓ **TIP:** Use light, constant pressure to control your Onewheel.
- ✓ **TIP:** Don't bend your knees too much; stand tall on your first rides.

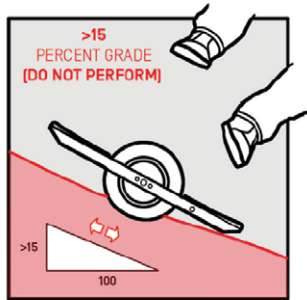
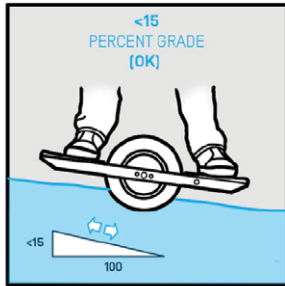




## Regenerative Braking

Decelerating while going downhill recharges the Onewheel GT battery.

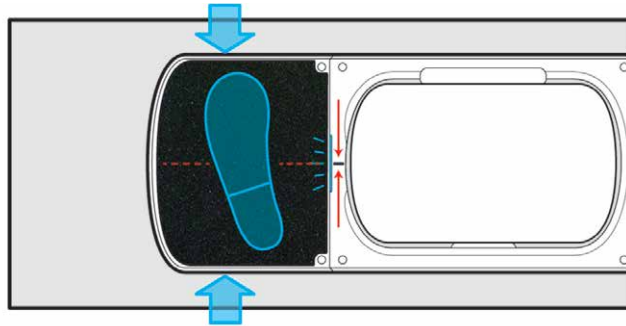
**⚠ WARNING:** Riding hills exceeding a 15% grade is extremely dangerous and may result in loss of control or damage to your Onewheel GT.



## Understanding the Footpad

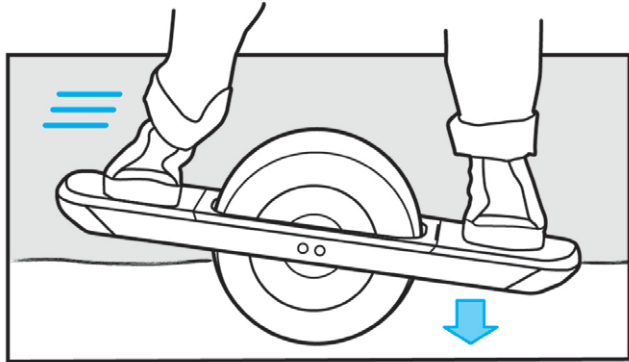
The front footpad is pressure sensitive and divided into two zones, one on each side of the footpad. Both zones must be pressed to begin riding. The Lightbar turns blue as visual indication of the sensor pad areas you are engaging.

✓ **TIP:** Avoid repositioning your foot while riding.



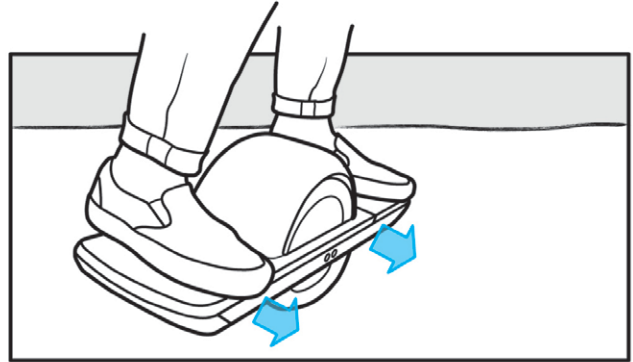
## Direction and Speed

Lean forward to move forward, and lean back to slow down or to move backwards. The more you lean, the faster you'll go. Always accelerate slowly and under control.



## Turning

Use subtle heel-toe pressure for turning left or right. You will begin to turn in the direction you lean. The more you lean, the sharper the turn.



## Range

Range varies based on an assortment of factors including rider weight and riding style, terrain, inclines and declines, and tire pressure. For optimal range, we recommend the following tips:

- ✓ **TIP:** Fully charge your Onewheel GT.
- ✓ **TIP:** Ensure the tire pressure is at 20psi.\*

\*Tire pressure makes a significant difference to Onewheel range, top speed, and ride quality. Even a few PSI change can alter the ride.

Onewheel GT Owner's Manual



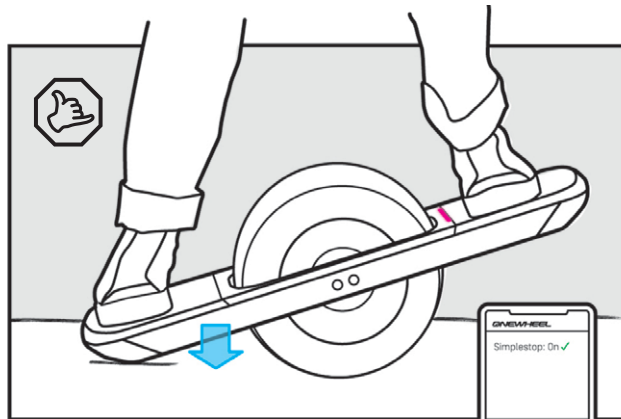


## Ways to Dismount

There are a few ways to dismount Onewheel GT. The Simplestop™ method is the easiest way to dismount. If you are new to riding, start with Simplestop™.

- ✓ **TIP:** Both rider-detection areas must be pressed to start riding. If you slow down and remove your foot from only one area, the GT will disengage.
- ⚠ **WARNING:** Never step off with your back foot first (the foot not on the rider-detection area). This increases risk of a fall and possible injury.

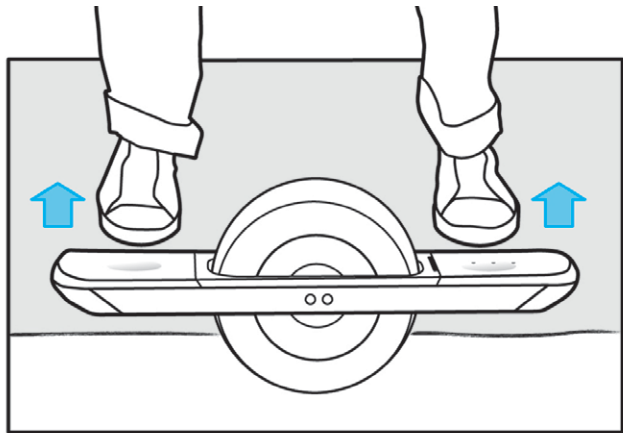
01



**Simplestop™** - The easiest way to stop. If you are new to riding, start with Simplestop™ which can be enabled through the Onewheel App.

pg. 32

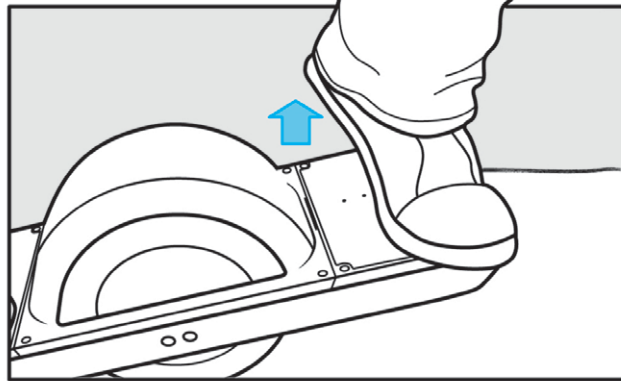
02



**The Jump off** - Another way to get off. It is not the most elegant dismount, but it is easy to execute and it can be done quickly.

**pg. 34**

03



**Heel Lift Dismount** - A more advanced way to dismount. Dismount like a pro once you feel like you are ready.

**pg. 36**

## Simplestop™ (Optional)

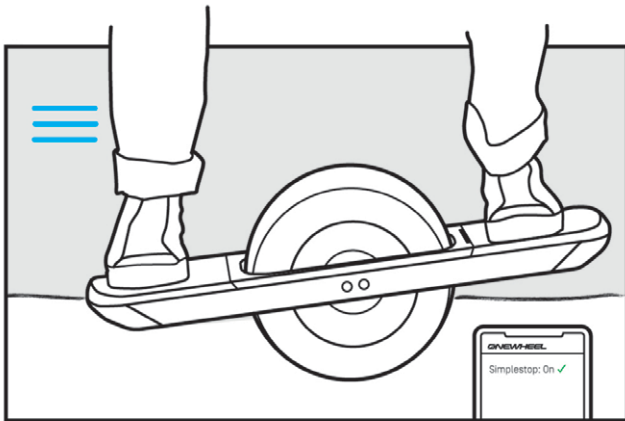
With Simplestop™ turned on, slow down to a stop by leaning backward to decelerate. Once stopped, slowly lean back. The board will travel a few inches backwards then the tail of the board will gently lower to the ground.

**⚠ CAUTION:** To use Simplestop™, it must be turned on in the Onewheel App on your smartphone.

**⚠ WARNING:** Never step off with your back foot first (the foot not on the rider-detection area). This increases risk of a fall and possible injury.

**✓ TIP:** To Simplestop™ smoothly shift your weight back with your hips and knees while keeping your chest over the center of the tire.

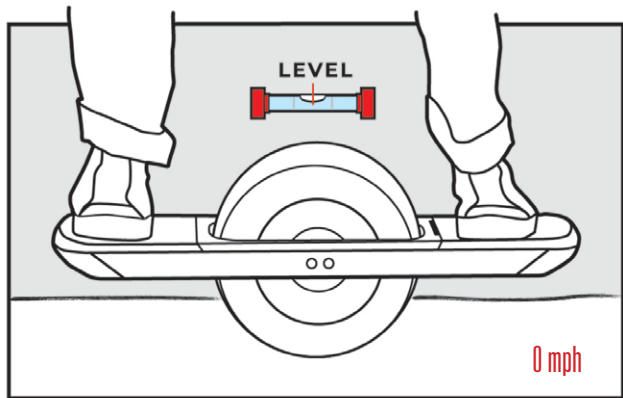
01



When **Simplestop™ is TURNED ON** in the settings on your Onewheel App, lean back to slow the board down to a stop.

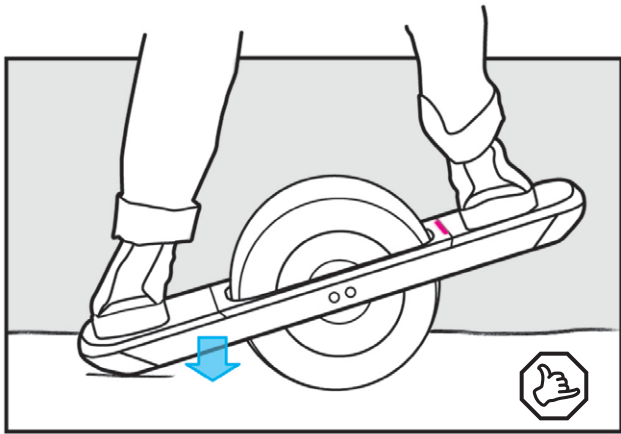


02



**Level out.** Once stopped, bring your board parallel to the ground (level).

03



**Lean back and lower.** SLOWLY lean back. The board will travel backwards a couple of inches then disengage and the tail will lower to the ground.

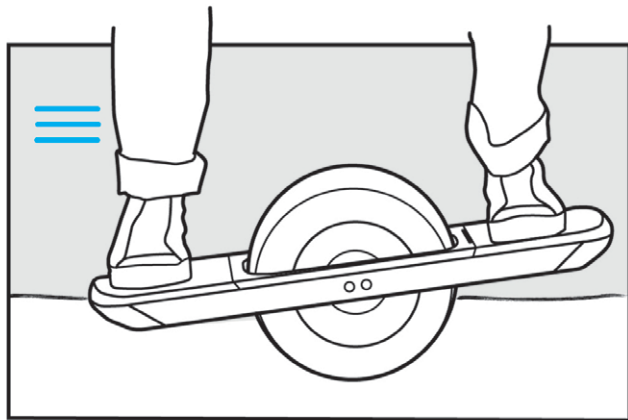
## Jump Off Method

Slow down to a standstill by leaning backward to decelerate. Once stopped, bring your board parallel to the ground (level), and jump off with both feet at the same time.

✓ **TIP:** This isn't the best way to dismount as there is a chance your board will tip over on its side and you may scratch the side rails.

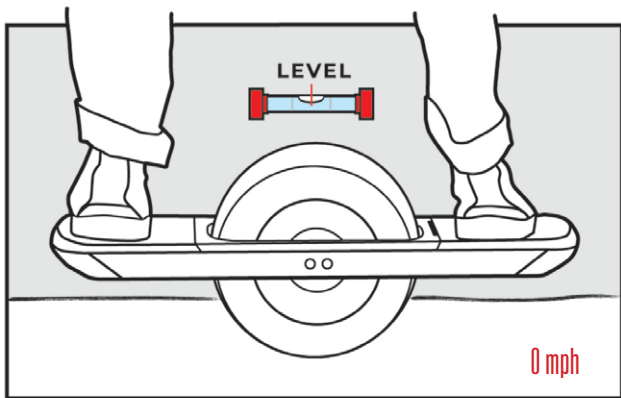
⚠ **WARNING:** Never step off with your back foot first (the foot not on the rider-detection area). This increases risk of a fall and possible injury.

01



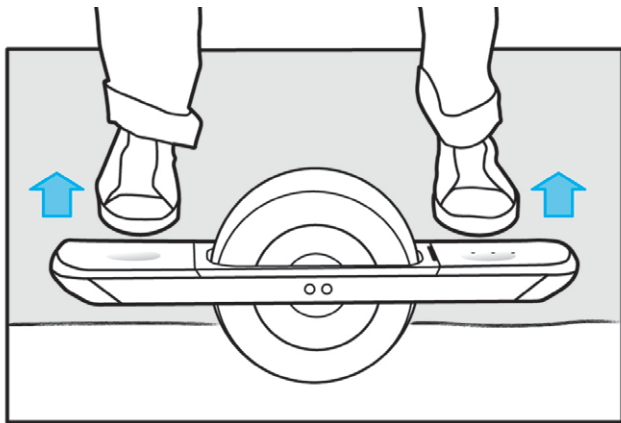
**Slow to a stop.** Lean back to slow your board down to a stop.

02



**Level out.** Once stopped, bring your board parallel to the ground (level).

03

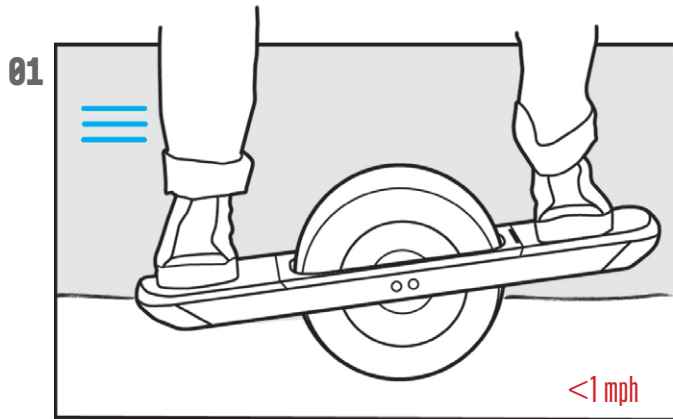


**Jump off.** Carefully jump off with BOTH FEET simultaneously.

## Heel Lift Method

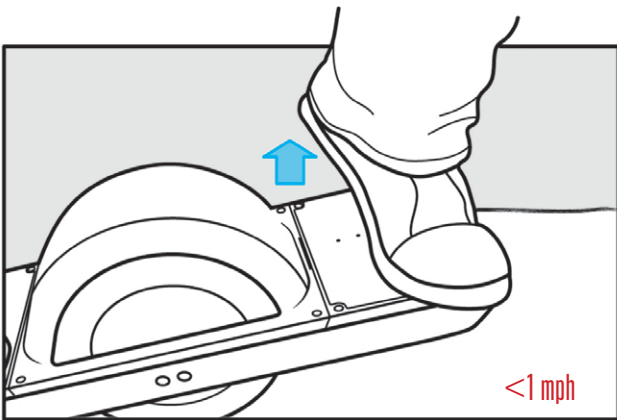
The heel lift method is a little trickier than Simplestop™, but it can be one of the most seamless ways to dismount a Onewheel.

- ⚠ **WARNING:** Never step off with your back foot first (the foot not on the rider-detection area). This increases risk of a fall and possible injury.
- ✓ **TIP:** Practice the heel lift dismount while holding onto something to keep your balance. You'll hear a small click when the motor disengages.



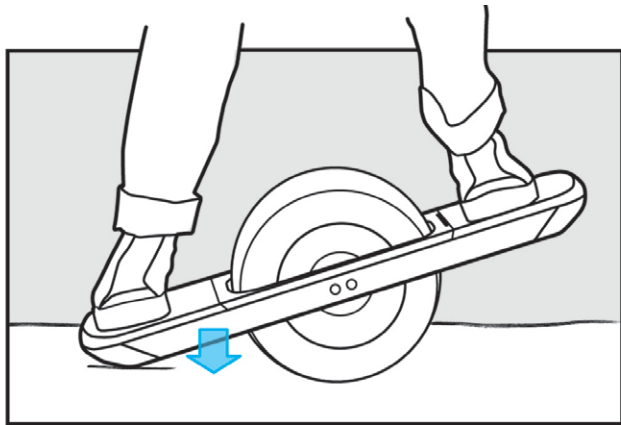
**Slow to less than 1 mph.** Lean back to slow your board down to less than 1 mph.

02



**Lift your heel.** Lift your front heel off one side of the sensor pad and the board will disengage letting you set the tail down.


03



**Lower the tail.** Once your board is disengaged, slowly lower the tail to the ground.


## Push Back

Like everything in life, Onewheel GT has its limits. If at any time you attempt to go too fast, descend a very steep hill, or ride with a low battery, your Onewheel GT will “push back.” In a push back situation, the nose of the board will lift to let the rider know to slow down. **ALWAYS LEAN BACK TO SLOW DOWN WHEN PUSH BACK OCCURS. NEVER LEAN FORWARD INTO PUSH BACK.** Failing to heed push back by leaning back to slow down may result in loss of control, serious injury, or death.

 **WARNING:** Ignoring safety warnings, including push back, may result in loss of control, serious injury, or death.


## Full-Battery Push Back

When the battery is fully charged and you continue to charge it through regenerative braking (e.g., traveling downhill), you may experience “Full-Battery Push Back.” This is to prevent overcharging the battery cells. If this happens, simply switch your GT OFF and ON again, and travel up the hill for a few moments to expend some of the charge. You will now be able to continue riding downhill.

 **WARNING:** Never attempt to ride down a long or steep hill with a freshly charged Onewheel GT. Loss of control or damage to your Onewheel GT may occur.


### **Low-Battery Push Back**

When your Onewheel GT battery is extremely low, it will perform a much more aggressive push back and will become inoperable. This means a full battery charge is needed. When low-battery push back occurs, stop your Onewheel GT and charge it.

 **WARNING:** Continuing to ride when low-battery push back occurs may result in sudden shutdown or damage to your Onewheel GT.

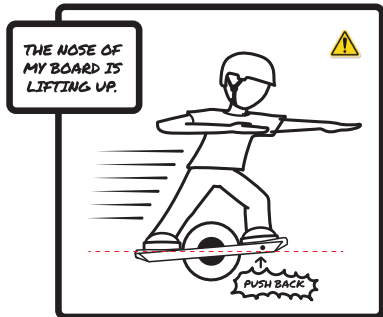
### **Speed Push Back**

When your Onewheel GT is reaching its limits, push back will occur. When that happens, lean your weight back to decrease your speed. Never lean forward into push back as you may push your Onewheel GT beyond its limits, which could cause you to lose control, fall from your board, and sustain serious injuries or death.

 **WARNING:** Ignoring safety warnings, including push back, may result in loss of control, serious injury, or death.

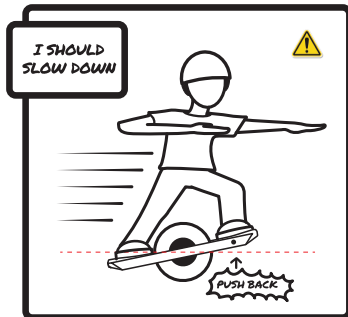
## Speed Push Back - Do this!

Push back is an important safety feature. Ignoring or trying to push through push back is extremely dangerous.



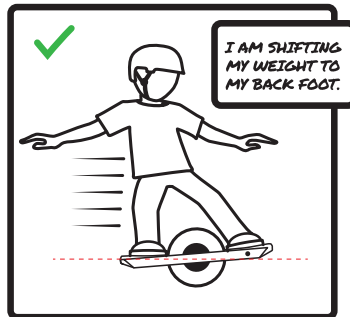
### ⚠ CAUTION: PUSH BACK

The nose of the board lifts up to warn the rider to slow down.

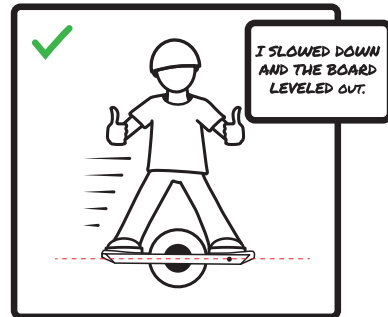


### ⚠ CAUTION: PUSH BACK

The rider recognizes push back and plans to adjust.



Rider shifts weight to the back foot in order to slow down.

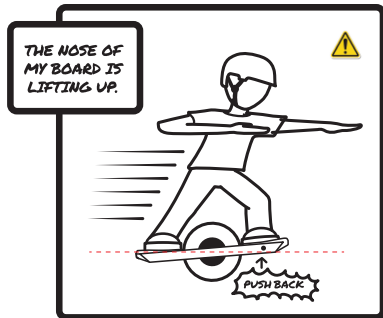


Rider has slowed down and the board returns to riding normally.

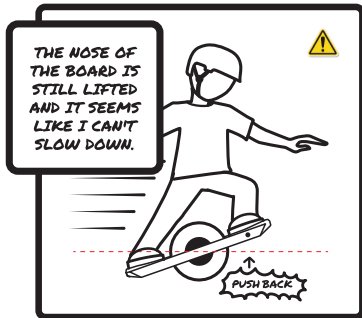


## Speed Push Back - Never do this!

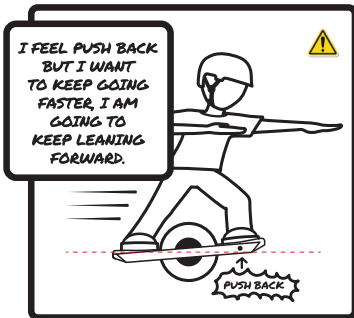
Push back is an important safety feature. Ignoring or trying to push through push back is extremely dangerous.



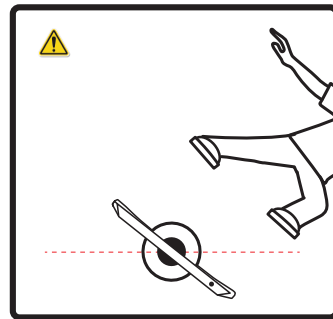
**⚠ CAUTION: PUSH BACK**  
The nose of the board lifts up to warn the rider to slow down.



**⚠ WARNING: DO NOT IGNORE PUSH BACK**  
If the rider's weight continues to be forward the board will continue to give the rider push back.



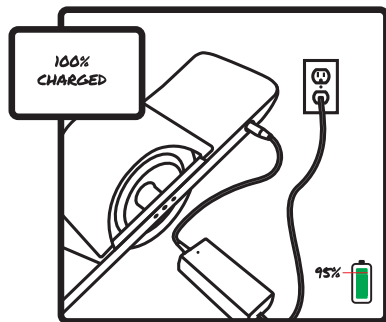
**⚠ WARNING: DO NOT IGNORE PUSH BACK**  
Rider leans weight forward to accelerate. Board continues to give the rider push back.



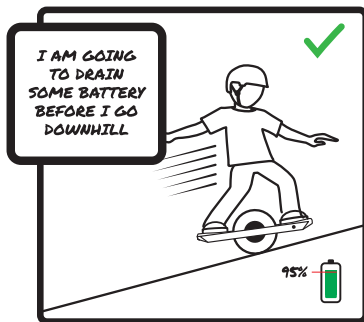
**⚠ WARNING: DO NOT IGNORE PUSH BACK**  
Ignoring safety warnings, including push back, may result in loss of control, serious injury, or death.

## Full Battery Push Back - Do this!

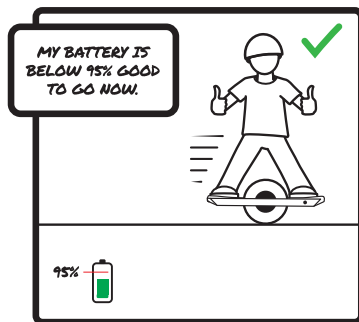
Push back is an important safety feature. Ignoring or trying to push through push back is extremely dangerous.



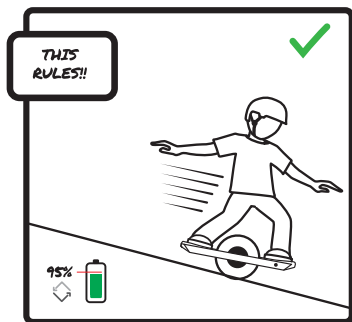
OneWheel is 100% charged.



**⚠ CAUTION: PUSH BACK**  
Ride uphill until the battery is below 95% charged.

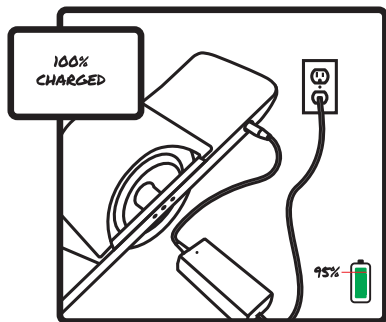


After draining the battery under a 95% charge, the battery is ready for regenerative braking. Good to go, have fun.

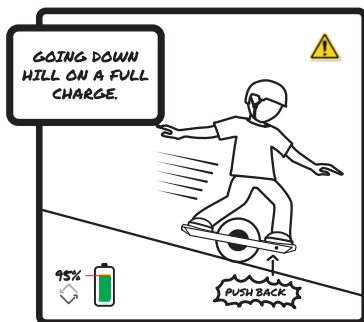


## Full Battery Push Back - Never do this!

Push back is an important safety feature. Ignoring or trying to push through push back is extremely dangerous.

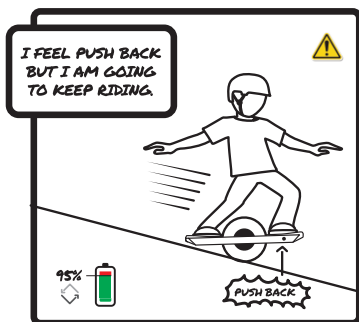


Onewheel is 100% charged.



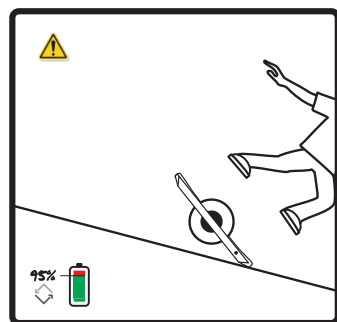
**⚠ WARNING:**  
**DO NOT IGNORE PUSH BACK**

The nose of the board lifts up to warn the rider the battery can't handle any more regen braking.



**⚠ WARNING:**  
**DO NOT IGNORE PUSH BACK**

If regenerative braking continues the board will continue to push back.



**⚠ WARNING:**  
**DO NOT IGNORE PUSH BACK**


Ignoring safety warnings, including push back, may result in loss of control, serious injury, or death.


## Safety Beep

Safety Beep is an important safety feature that produces an audible indication as you approach the board's limits. **Always lean back to slow down when you hear the Safety Beep.**

Safety Beep is not a substitute for pushback, but is a separate warning system to give additional rider feedback. Disabling the Safety Beep feature is for advanced riders only.

**Note:** Always ensure that the Safety Beep feature is enabled before letting anyone else ride your board.

 **WARNING:** Safety Beep is an important safety feature. By disabling this feature you risk serious injury or death.

 **WARNING:** Always heed pushback warnings. Do not rely solely on Safety Beep.

 **TIP:** This feature can be accessed in the the Onewheel app.



# MAINTAINING YOUR GT




03



## Safety Check

Doing regular safety checks will help prolong the life of your Onewheel GT. We recommend that you carefully inspect your Onewheel GT before every ride to make sure that there are no loose, damaged, or unusually worn parts, and that the air pressure in the tire is adequate. All nuts and bolts should be tight. Most Onewheel GT components were designed so that they can be easily replaced if there is a problem.

**If you have any questions, contact Onewheel Customer Service by creating a support ticket at [onewheel.com/support](https://onewheel.com/support).**



-  **WARNING:** Before performing any minor work on your Onewheel GT, make sure the power button is in the “OFF” position.
-  **WARNING:** The footpads are an integral part of the safety system for the Onewheel GT. Never ride with damaged footpad or grip tape, and never attempt to replace grip tape. Replacement footpads are available at [onewheel.com](https://onewheel.com).
-  **CAUTION:** Riding a damaged GT will void its warranty.

## Bumpers

Bumpers are designed as wear-and-tear components and must be replaced as they wear. More details can be found at [onewheel.com/support](https://onewheel.com/support)

## Footpads

Inspect footpads for any cracks, punctures or tears in the grip tape, particularly in the rider-detection area. If you notice any damage, visit [onewheel.com/support](https://onewheel.com/support) and submit a request for replacement parts.

-  **CAUTION:** Never attempt to remove or replace grip tape with aftermarket grip tape.
-  **WARNING:** Riding with a damaged footpad is extremely dangerous. Replace immediately.

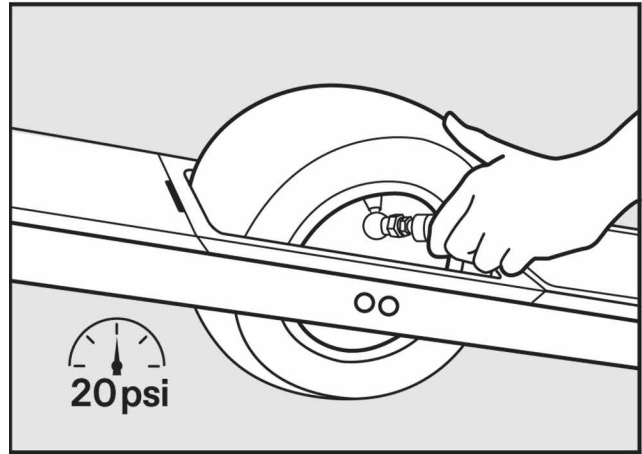
## Tire

Check your Onewheel tire for any cuts in the tread and sidewall. Also be sure it is sufficiently inflated, up to 20 PSI. The best way to check and inflate your tire is with a quality digital gauge and compressor at your local gas station.





For a softer, more forgiving ride you can decrease the tire pressure as low as 17 PSI, but note that **tire pressure makes a significant difference** to your Onewheel GT's range, top speed, tire wear and ride quality.

If your tire is damaged or has a hole, please visit [onewheel.com/support](https://onewheel.com/support) for more information.

Onewheel GT Owner's Manual







-  **WARNING:** Exceeding the maximum pressure of 30 PSI (2.0 bar) could damage your Onewheel GT and result in injury. It will also void your warranty.
-  **CAUTION:** Tire pressure makes a significant difference to your Onewheel GT's range, top speed, tire wear, and ride quality.
-  **CAUTION:** Riding your Onewheel GT with a flat or under-inflated tire will void your warranty.
-  **CAUTION:** Pencil-type automotive tire gauges can be inaccurate. Always use a quality digital gauge

## Battery

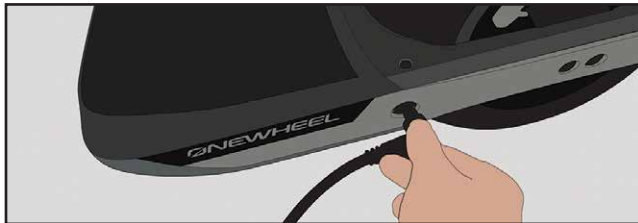
Be careful not to overcharge or undercharge your battery. The battery should be charged at least once every two months. Failure to do so may void your warranty. You must dispose lithium batteries according to local laws and regulations.

-  **WARNING:** If the battery pack appears to be damaged or is not holding a charge, please do not use it. For further assistance, contact Onewheel Customer Support by submitting a support request at [onewheel.com/support](https://onewheel.com/support)
-  **CAUTION:** Do not expose the battery to extreme high or low temperatures. These may degrade or damage the battery pack.

## Battery Charger

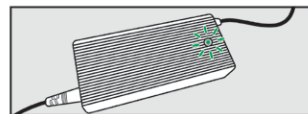
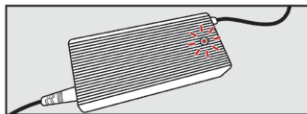
Use only the Onewheel GT Home Charger (FY7562500), Onewheel GT Car Charger (FY7561600D) or Onewheel GT Hypercharger (FY7565200) to charge your Onewheel GT.


**NOTE:** The FY7562500 and FY7565200 chargers can operate on 110V-240V. Depending on your country, a plug adapter may be required.




## How to Charge your Battery

- 01** Connect the charger to an “AC” supply and then to the Onewheel GT charging port. The charger will display a red light.
- 02** A green light will appear when the battery pack is fully charged and the charger will automatically stop charging.
- 03** Disconnect the charger by pressing the release button on the charging plug and pulling firmly.



 **CAUTION:** Only use the Onewheel GT Home Charger (FY7562500), Onewheel GT Car Charger (FY7561600D) or Onewheel GT Hypercharger (FY7565200) to charge your Onewheel GT. Use of any other charger will void your warranty and may damage your Onewheel GT.

 **CAUTION:** All electronic and drive components may only be repaired by Future Motion. Any other adjustments will void your warranty.

 **CAUTION:** Don't begin any repairs or adjustments on your Onewheel GT until you properly understand how to complete them. An improper adjustment or repair may result in damage to your Onewheel GT or a potentially serious injury. Contact Customer Support at [onewheel.com/support](https://onewheel.com/support) for assistance with complex services, maintenance, and repairs.

 **TIP:** Periodically leave the charger attached to your GT overnight to allow the battery pack to thoroughly balance.

## 90% Charge Setting

This function, which can be enabled through the Onewheel App, limits your board charging to 90% of a full charge to prevent overcharging and extend battery life.

- Reduces risk of overcharging your battery. Especially if you usually start your ride going downhill.
- By enabling “90% Charge” battery cycle life can be extended significantly.
- If this setting is not enabled, always remember to begin your ride on a flat surface or uphill with a full charge to prevent overcharging.

**Note:** Range per ride is reduced when using this setting.

# GETTING TO KNOW YOUR GT

04



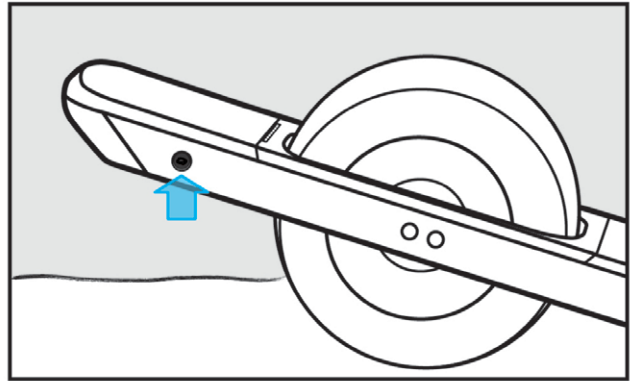
## Understanding the Awesome

You already know Onewheel GT is super fun, but it's also important to your safety, performance and enjoyment to understand how the Onewheel GT works. If after reading this manual you still have questions, please submit a support request at [onewheel.com/support](https://onewheel.com/support)

## Main Power Switch

Onewheel GT is powered ON and OFF by the push button switch on the side of your Onewheel GT. Always make sure your Onewheel GT is on the ground in the ready-to-ride position before switching it “ON.” Always turn your Onewheel GT “OFF” when charging, storing or carrying it.

- ⚠️ **WARNING:** Never pick up your Onewheel GT when the switch is in the “ON” position since the wheel may spin, thus causing a safety hazard.
- ⚠️ **CAUTION:** Do not press the rider-detection area section of the footpad while powering on your Onewheel GT or it will not operate.
- ✓ **TIP:** Turning on your Onewheel GT while it is not on the ground will cause an error.



# Lightbar™

## LED Lightbar™ Indicator

The Lightbar™ directly behind the front footpad is the status indicator for Onewheel GT. The Lightbar™ will indicate battery status, error codes, and other information for your Onewheel GT.

## Normal Operation

While powered on, the Lightbar™ will show a bar graph of your battery state of charge, starting on the left hand side. The Lightbar™ also indicates footpad contact, Simplestop™ behavior, as well as errors, and warnings. While riding, the Lightbar™ fades out so you can focus on the ride ahead. Slow down and the Lightbar™ will come back on.

## Charging

While charging, the Lightbar™ will pulse and act as a bar graph. When fully charged, it will turn off.

Lightbar™  
indicating  
a fully charged  
battery



## Battery Status



**50% CHARGE**



**< 10% CHARGE**

Time to conclude your ride and recharge your battery.




**FULLY DEPLETED**

Pushback will occur. Stop riding immediately.



**CHARGING**

The Lightbar™ will pulse and act as a bar graph.

 **WARNING:** Continuing to ride when low-battery push back occurs may result in sudden shutdown or damage to your Onewheel GT.

### **Simplestop™ Behaviors**

Onewheel GT notifies you when Simplestop™ is enabled through the Lightbar.

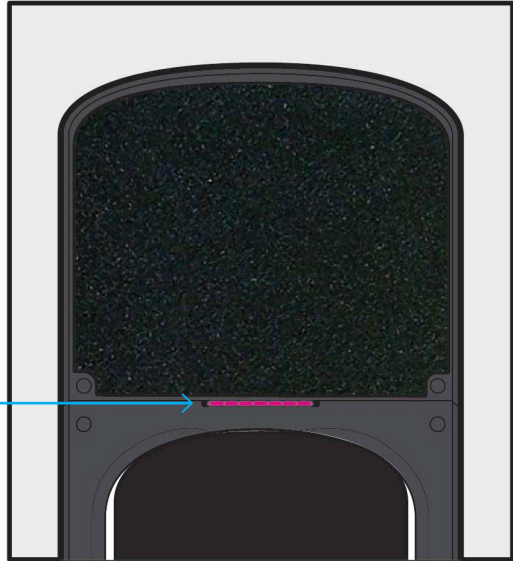
### **Simplestop™ Startup**

The Lightbar™ will blink magenta on power-up if Simplestop™ is enabled.

### **Simplestop™ Dismount**

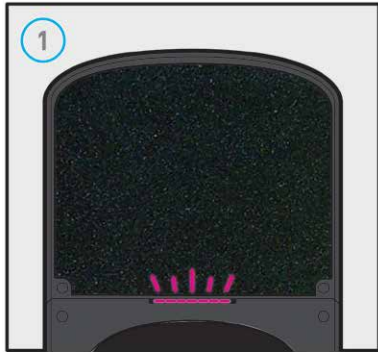
While performing a Simplestop dismount the Lightbar™ will turn magenta to indicate that Simplestop™ is engaged and that you are performing a Simplestop™ dismount.

Simplestop™  
indicator  
is magenta





## Simplestop™ Indication



### Simplestop™ Power Up

Lightbar™ blinks magenta then transitions to white.



### Powered Up

Once powered up, Lightbar™ will turn to white battery bar graph indicator.



### Simplestop™ Dismount

While performing a Simplestop™, Lightbar™ turns a steady magenta.

## Footpad Sensor Behaviors

The front footpad has two zones on each side of the footpad which makes up Onewheel's rider detection area. When traveling at less than 1 mph, each side of the Lightbar™ will illuminate blue when the corresponding zone of the rider-detection area is engaged.

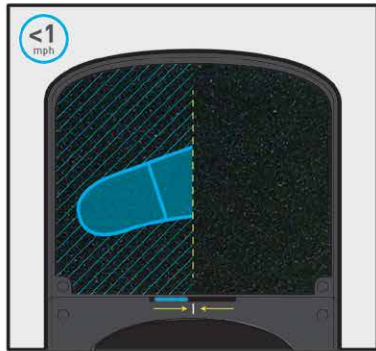
✓ **TIP:** Make sure you are engaging both sides of the pressure sensitive pad before riding.

⚠ **WARNING:** Never step off with your back foot first (the foot not on the rider-detection area). This increases risk of a fall and possible injury.

Indicator showing contact on both zones of the rider-detection area.

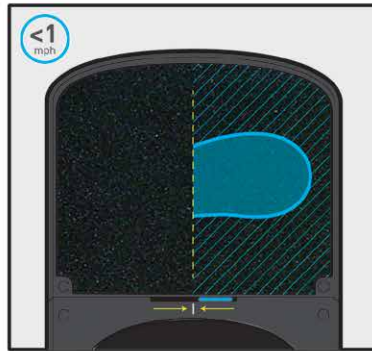


## Rider-Detection Footpad Contact Indication



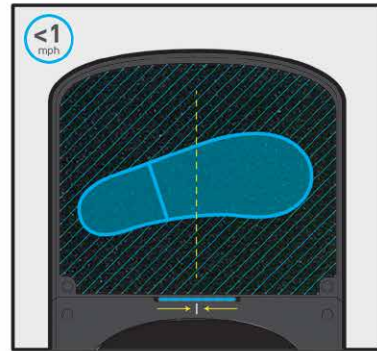
### Left Zone Only

The three left LEDs of the Lightbar™ will illuminate blue.



### Right Zone Only

The three right LEDs of the Lightbar™ will illuminate blue.



### Both Zones

The entire Lightbar™ will illuminate blue.

## Decoding Your Onewheel GT

The different blink codes, differentiated by the number of blinks in a row, may indicate different issues with your Onewheel GT. The entire Lightbar will blink yellow or red. If you are riding the board when an error code occurs, the board will give extreme push back. Lean back to slow down, stop, and dismount immediately.

Always count the error code if one occurs. Sometimes you can solve the issue by charging the battery or by switching your Onewheel GT OFF and then ON again. If you are still experiencing problems, please contact Onewheel Customer Support by submitting a support request at [onewheel.com/support](https://onewheel.com/support)

Lightbar Color	# Of Blinks	Description
-----	03	Overcharged
-----	04	Invalid power-up orientation
-----	06	Motor stall detected
-----	07	Out of range controller temperature
-----	09	Bad accelerometer
-----	10	Bad controller
-----	11	Bad hall sensors
-----	13, 14	Over-current detected
-----	15	Footpad sensor pressed on power-up
-----	16, 22	Invalid hardware
-----	17	Out of range battery temperature
-----	18	Out of range motor temperature
-----	21	Charger connected



### **Blinking Yellow**

A minor issue that may be fixed by charging or switching your board off and on again.



### **Blinking Red**

An issue that may require you to contact Customer Support.

**MORE WAYS  
TO RIDE  
SAFELY**






**05**

## Modifying your Onewheel GT

Never use non-Future Motion approved GT accessories, or components, or otherwise modify or change the appearance or performance of Onewheel GT factory components. If you do, you can increase your risk of serious injury or death, the chances of property damage, and you will void your warranty.

Authorized Official Onewheel Accessories are available at [onewheel.com/accessories](https://onewheel.com/accessories).

If you have specific questions, please contact Onewheel Customer Support by submitting a support request at [onewheel.com/support](https://onewheel.com/support).


-  **WARNING:** Failure to confirm the compatibility of, or to properly install, operate or maintain any component or accessory on your Onewheel GT can result in serious injury or death and will void your warranty.
-  **WARNING:** Changing or modifying any Onewheel GT can result in serious injury or death and will void your warranty.
-  **WARNING:** Using unauthorized accessories or components may void your warranty or cause serious injury or death.


## More Ways to Ride Safely

Observe all local traffic laws and regulations regarding riding on sidewalks and trails. It is your responsibility to know and obey the laws in your riding area.

Share the road and respect the rights and safety of other motorists, pedestrians, and cyclists.

Ride defensively. Always assume that others do not see you.

 **WARNING:** Never ride your Onewheel GT on inclines or declines with grades steeper than 15%. This may cause the motor and battery to overheat and will also void your warranty.

 **CAUTION:** Jumping and stunt riding will void your warranty.


### Look ahead, and be ready to avoid or yield to:

- Vehicles slowing or turning, entering your lane ahead of you, or coming up behind you.
- Parked cars or opening car doors
- Pedestrians
- Children or pets
- Potholes, sewer grating, railroad tracks, expansion joints, road or sidewalk construction, debris, and other obstructions that could cause you to swerve into traffic, catch your wheel, or fall.



### **Always Wear:**

- Always wear a ASTM F1492-08, CPSC and/or CE EN1078 certified helmet, and follow the manufacturer's instructions for fit, use and care. Head injuries are some of the most serious and may be avoided with proper protection.
- Shoes that stay on your feet and will grip the board. Never ride barefoot or while wearing sandals or flip-flops.
- Bright clothing that makes you clearly visible to drivers, riders and pedestrians.
- Protective eyewear to protect against the sun, as well as airborne dirt, dust, and, of course, bugs.
- Avoid sharp bumps, drainage grates, and sudden surface changes.
- Avoid streets and surfaces with water, sand, gravel, dirt, leaves, and other debris. Wet weather impairs traction, braking, and visibility and may damage your board.
- Never ride near motor vehicles.

 **WARNING:** Failure to wear a helmet when riding may result in serious injury or death.

## More Ways to Ride Safely

- Always ride in designated lanes or paths or as close to the edge of the road as possible in the direction of traffic flow or as directed by local laws.
- Never weave through traffic.
- Never carry a passenger.
- Stop at stop signs and traffic lights. Slow down and look both ways at street intersections. Be prepared to yield even if you have the right of way.
- Use approved hand signals for turning and stopping.
- Never carry anything that could obstruct your vision or that could cause you or your clothing to become entangled in the wheel.
- Never hitch a ride holding onto another moving vehicle or object.
- Never ride your Onewheel GT while under the influence of alcohol or drugs.
- Observe and yield the right of way.
- Do not perform racing, stunt riding, or other maneuvers that may cause loss of control.

- Before each use, perform pre-operation checks as specified by the manufacturer.
- The owner shall allow use of the unit only after clearly demonstrating its proper and safe use and confirming that the operator understands all components and aspects of operation of the unit, and is wearing a helmet. Before riding, have the operator review the safety information and riding tips available on the Onewheel app and/or Future Motion's website.
- Be thoroughly familiar with the way your Onewheel works (e.g., speed, direction, turning).
- Do not allow body parts, clothes, etc. to come into contact with moving parts, wheels, or drive train while the motor is running.
- Always do a mechanical safety check before getting on your Onewheel GT.
- When riding, be aware of your environment. Ride at a speed appropriate for your conditions. Increased speed equals higher risk.

## More Ways to Ride Safely

- Do not ride at night or during times of low visibility (e.g., fog, rain, dusk, dawn).
- Follow all manufacturer's recommendations and instructions, as well as comply with all laws and ordinances.
- Components shall be maintained and repaired in accordance with manufacturer's specifications.
- Persons with heart conditions, pregnant women, persons with head/back/neck ailments, persons with mental or physical conditions that make them susceptible to injury, and persons with impaired capabilities should not operate.



# General Boardcare

## Daily Use

Keeping your board looking great and riding for years is pretty easy. **Just keep it dry, keep it clean, and keep it partially charged.** When you are done riding store your board in a warm, dry place. Don't leave it outside or in your car overnight.

## Moist Environments

If you ride in any moist environment make sure you wipe your board off fully afterward and get all debris off and let it fully dry out before charging. The board is not waterproof, but water-resistant. Ride into moist environments at your own risk.

## Cold Weather

Riding in the winter is a blast and Onewheels can be operated in the cold. Don't let the winter cold ruin your fun. When you are done riding, don't leave your Onewheel outside or in the trunk of your car. Long exposure to extremely cold temps can adversely affect your board's health.

If you do happen to leave your Onewheel out in the cold you may have to bring your board in and warm it up (60°F /15°C) before it is ready to ride (You may see error 17 if battery temperature is too low). It may take an hour or more to warm up to a rideable temperature.

## Battery Care

Leaving the board on the charger several days in a row will not damage the board although for long term storage, it is best to store as per the long term storage instructions.

- Leaving your board on the charger for several days in a row will not damage your board.
- Do not leave your board on the charger for months.
- For long term storage make sure to charge between 40-50% and check it monthly.

## Long Term Storage

Make sure to charge between 40-50% and store it in a dry place between 50°-60°F (10°-15°C). Check monthly to ensure your battery remains between 40-50%.



**40-50%  
CHARGE**



**50°-60°F  
(10°-15°C)**



**CHECK  
MONTHLY**

## GT Specifications

<b>Motor</b>	: 750W Hypercore® hub motor
<b>Battery</b>	: Nickel Manganese Cobalt Oxide (NMC)
<b>Sensors</b>	: Solid State MEMS 6-DOF
<b>Tire</b>	: 11.5 × 6.5-6.5 Onewheel
<b>Max Lean Angle</b>	: > 30 degrees
<b>Top Speed</b>	: 20 mph / 32 kph
<b>Typical Range</b>	: 20-32 mi / 32-52 km
<b>Dimensions</b>	: 9.5 × 11.5 × 29 (in) / 241 × 292 × 737 (mm)
<b>Weight</b>	: 35 lb / 15.87 kg
<b>Recharge Time</b>	: 200 mins* (FY7562500 charger)

\*Charge time estimated starting from a 10%-90% charge.

## GT Charger Specifications

---

<b>Input</b>	: AC100-240V 50/60Hz 250VA
<b>Output</b>	: +75.6VDC 2.5A
<b>Model #</b>	: FY7562500

---

<b>Operating Temperature Range</b>	: 0C to 50C
------------------------------------	-------------

<b>Operating Humidity Range</b>	: 0 to 100% RH (non-condensing)
---------------------------------	------------------------------------





## Warranty

**WARRANTY** This agreement outlines the **LIMITED WARRANTY** coverage supplied by Future Motion Inc., hereinafter to be called the **COMPANY**, to the **USER**, which is defined as an individual who has purchased the Onewheel GT (hereinafter to be called the **PRODUCT**) in a retail establishment or via an on-line storefront as approved by the **COMPANY** or from a **COMPANY**-authorized sales representative. Purchasing any **PRODUCT** from an unauthorized reseller, including any online purchase other than directly from the **COMPANY**, will void all product warranties to the extent permitted by law.

The **COMPANY** warrants that the **PRODUCT**, other than the footpad, tire and battery pack, will be free from defects in materials and workmanship for a period of 12 months/2000 KM (1243 miles), whichever comes first. The warranty for the footpad, tire and battery pack is 6 months/1000 KM (622 miles).

If the **PRODUCT** proves defective **AND** a claim is filed during the warranty period, the **COMPANY**, at its option, will:

- 01** Repair the **PRODUCT** by means of telephone support, email support, or by providing service at no charge for parts or labor,
- 02** Replace the **PRODUCT** with a comparable **PRODUCT** which may be new or refurbished.
- 03** Refund the original amount paid for the **PRODUCT**, less a reasonable allowance for usage, upon its return.

The **COMPANY** recommends that the **USER** first utilize support materials shipped with the **PRODUCT**, **PRODUCT** diagnostics, information contained on the Internet, and email support. If unsuccessful, to obtain service under this **WARRANTY** the **USER** must notify the **COMPANY** or its authorized service.

Future Motion provides paid repairs for products that are out of warranty.

All Sales are Final.



If you wish to discard this product please contact your local authorities or dealer and ask for the correct method of disposal.

## Component Warranty Duration Notes

(For defects in materials and workmanship.)

Components	Duration	Notes
Onewheel GT	1 year	Parts that are not listed separately
Footpad, Tire, Battery Pack	6 months	

# Warranty

## The following are not covered by the warranty

- Total mileage is over 2000km/1243miles.
- Damage has been caused by modification or use outside those specified in the User Manual.
- The barcode or serial number of the product has been altered or removed.
- The warranty registration is inconsistent with the product itself.
- The product has been dismantled or repaired by an unauthorized third party.
- Water damage is not covered under warranty.
- Damage or fault has been caused by other issues (excluding product design, manufacture, quality, etc.).
- Natural wear and tear that does not affect product function (including scratches and wear and tear on frame rails, footpad, tires, etc).
- Damage has been caused by accidents or human errors, such as breakage caused by dropping or rusting in a very wet environment.
- Damage has been caused by overloading the Onewheel.
- Damage has been caused by acts-of-god such as fire, flood, earthquake, freezing, etc.
- Products purchased from an unauthorized reseller, including any online purchase other than directly from Future Motion, Inc., to the extent permitted by law.

**All implied warranties (including but not limited to the implied warranties of merchantability and fitness for a particular purpose) are limited in duration to the above 12 month/6 month warranty period. Future Motion Inc. further disclaims all express warranties.**

Some states do not allow limitations on how long an implied warranty lasts, so the above limitation may not apply to you if inconsistent with controlling state law.



# Declaration Of Conformity

## GT: Self-Balancing Electric Skateboard

**Product:** Onewheel GT: Self-Balancing Electric Skateboard

**Type Model:** OW1-00009-XX

**Manufacturer:** Future Motion Inc

**Manufacturer Address:**

1201 Shaffer Rd.

Santa Cruz, CA 95060, USA

The undersigned hereby declares, on behalf of Future Motion Inc. of Santa Cruz, CA, that the above-referenced product, to which this declaration relates, is in conformity with the provisions of:

EU Machinery Directive 2006\_42\_EG

Council Directive 2014/30/EU on Electromagnetic

Compatibility:


EN 55022 Class B Limits

EN 55024

EN 60204

EN ISO 12100

The Technical Construction File is maintained at the corporate headquarters at 1201 Shaffer Rd, Santa Cruz, CA 95060, USA.

Signed 

Kyle Doerksen. Founder, CEO



15.01.2022



**ONEWHEEL**

1201 Shaffer Rd. Santa Cruz, CA  
95060, USA

Copyright © 2022 Future Motion Inc.  
Onewheel® is a trademark of Future Motion Inc.  
Onewheel® is protected by numerous patents in the U.S. and world-wide.  
See [www.onewheel.com/patents](http://www.onewheel.com/patents) for more information.

**All sales are final.**



## **Onewheel GT Owner's Manual V1.1 (Original Instructions)**

Manuals in other languages are available  
at [onewheel.com/support](https://onewheel.com/support)

**@onewheel**